



BO480112
Oven 400 series
Stainless steel-backed full glass door
Width 76 cm
controls at the top



Handleless door / automatic door opening / door opening via voice assistant possible
 Pyrolytic system
 17 heating methods, with core temperature probe, rotisserie spit and baking stone function
 Automatic programmes
 Core temperature probe with estimation of cooking time
 TFT touch display
 Panel-free appliance with surface control module
 Electronic temperature control from 30 °C to 300 °C
 110 litres net volume

Heating methods

Hot air.
 Eco hot air. Top + bottom heat. Top + 1/3 bottom heat. Top heat. 1/3 top + bottom heat. Bottom heat. Hot air + bottom heat. Hot air + 1/3 bottom heat. Full surface grill + circulated air. Full surface grill. Compact grill. Baking stone function. Roaster function. Dough proofing. Defrosting. Keeping warm.

Handling

Automatic door opening.
 Rotary knob and TFT touch display operation.
 Clear text display.
 Option to save individual recipes (incl. core temperature probe).
 Personalisation of automatic programmes.
 Information key with use indications.
 Side-opening door opens up to 180° angle.

Features

Three-point core temperature probe with automatic shut-off and estimation of cooking time.
 Automatic programmes.
 Rotisserie spit.
 Baking stone socket.
 Actual temperature display.
 Rapid heating.
 Timer functions: cooking time, cooking time end, timer, stopwatch, long-term timer (certified by Star-K).
 60 W halogen light on the top.
 2 x 10 W halogen light on the side.
 Enamelled side shelf supports with 3 tray levels, pyrolysis-safe.
 Home network integration for digital services (Home Connect) either via cable connection LAN (recommended) or wireless via WiFi.
 The availability of the Home Connect functionality depends on the availability of the Home Connect Services in your country. Home Connect Services are not available in every country – for further information please check: www.home-connect.com

Safety

Thermally insulated door with quadruple glazing.
 Child lock.
 Safety shut-off.
 Cooled housing with temperature protection.

Cleaning

Pyrolytic system.
 Gaggenau enamel.
 Heated air cleaning catalyser.

Characteristics

Color / Material Front
Construction type
 Built-in
Integrated Cleaning system
 Pyrolytic
Required niche size for installation (HxWxD)
 665-665 x 724-724 x 550
Dimensions
 670 x 752 x 547
Dimensions of the packed product (HxWxD)
 860 x 760 x 850
Control Panel Material
 without panel
Door Material
 Stainless steel behind glass
Net weight
 78.7
Usable volume of cavity
 110
Cooking method
 Baking stone function, Bottom heat, Conventional heat, Defrost, Dough proving, Full width grill, Half width grill, Hot Air, Hot Air-Eco, Hot air grilling, Roaster function, Top heat, warming
First cavity material
Oven control
 electronic
Number of interior lights
 3
Approval certificates
 Australia Standards, CE, Eurasian, G-Mark, Ukraine, VDE
Length of electrical supply cord
EAN code
 4242006284817
Number of cavities (2010/30/EC)
 1
Energy efficiency rating
 A
Energy consumption per cycle conventional (2010/30/EC)
 1.53
Energy consumption gas oven per cycle conventional (2010/30/EC)
Energy consumption per cycle forced air convection (2010/30/EC)
 0.96
Energy consumption gas oven per cycle forced air convection (2010/30/EC)
Energy efficiency index (2010/30/EC)
 95.0
Connection rating
 5520
Fuse protection
 25
Voltage
 220-240
Frequency
 50
Plug type
 fixed connection, no plug (electrical connection by electrician)
Included accessories
 1 x enamel baking tray, suit. pyrolytic clean, 1 x rotary spit, 1 x grill shelf, 1 x grill tub with grid, 1 x pluggable meat probe

Consumption and connection features

created on 2022-10-26
 Page 1

Planning notes

Door hinge not reversible.
 The façade of the appliance extends 47 mm from the furniture cavity.
 When planning a corner solution, pay attention to the 90° door opening angle.
 To achieve the 550 mm installation depth, the connection cable needs to follow the slanted edge on the lower right hand corner of the housing.
 The main socket needs to be planned outside of the niche.
 The LAN port can be found at the back on the upper right side.

Connection

Energy efficiency class A at a range of energy efficiency classes from A+++ to D.
 Total connected load 5.5 KW.
 Plan a connection cable.
 Plan a LAN cable.
 Power consumption standby/display on 0.7 W.
 Power consumption standby/display off 0.5 W.
 Power consumption standby/network 1.4 W.
 Time auto-standby/display on 20 min.
 Time auto-standby/display off 20 min. #
 Time auto-standby/network 20 min.
 Please check the user manual for how to switch off the WiFi module.

Color Variants

BO480112
Stainless steel-backed full glass door
Width 76 cm

Included accessories

1 x enamel baking tray.
 suit. pyrolytic clean.
 1 x rotary spit.
 1 x grill shelf.
 1 x grill tub with grid.
 1 x pluggable meat probe.

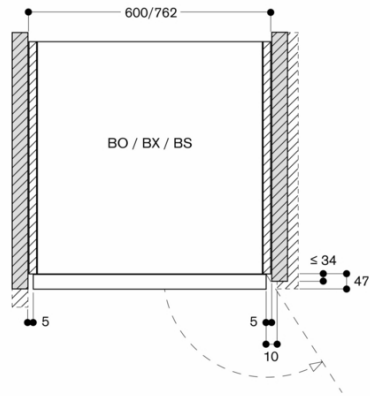
Optional accessories

BA018105
Pull-out system
BA028115
Baking tray, enamelled
BA038105
Wire rack, chromium-plated
BA058115
Heating element for baking stone and Gastronorm roaster
BA058133
Baking stone
BS020002
Pizza paddle, set of 2
GN340230
Gastronorm roaster in cast aluminium

Product Variants

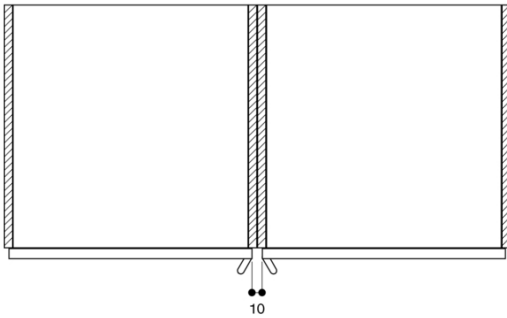
BO481112
Oven 400 series
Stainless steel-backed full glass door
Width 76 cm
controls at the top

Air inlet cross section at the door edges



Measurements in mm

When installed next to each other



Cross section of the top/bottom door edge gaps

